



**EK-WL8-OV/AU
WIRELESS OPTICAL SMOKE SENSOR
WITH INTEGRATED VOICE
ANNUNCIATOR AND VISUAL ALARM
DEVICE (VAD)**

STFV.425238.037-AU-UM rev. 24

06.11.2020

Page 1 from 8

GENERAL DESCRIPTION

EK-WL8-OV is a wireless 3-in-1 optical smoke sensor with an integrated voice annunciator and visual alarm device (VAD).

The device analyses the protected area for traces of smoke. An alarm condition is generated when the smoke level exceeds the threshold. The alarm signal is relayed to the Control Panel via the connected translator/expander modules.

The advanced design of the optical chamber guarantees a very high level of dust protection, effectively increasing the time between maintenance procedures.

The device is supplied with a mounting kit.

The product complies with the requirements of the AS ISO 7240.7, AS ISO 7240.23:2014 and AS ISO 7240.25 standards.



FEATURES

- Bi-directional wireless communication
- Intelligent algorithms
- Tamper switch
- 10-year battery life
- Self-optimizing wireless frequency and amplitude algorithms
- Patented smoke chamber design
- Integral VAD with white LED's (C-3-2.6)



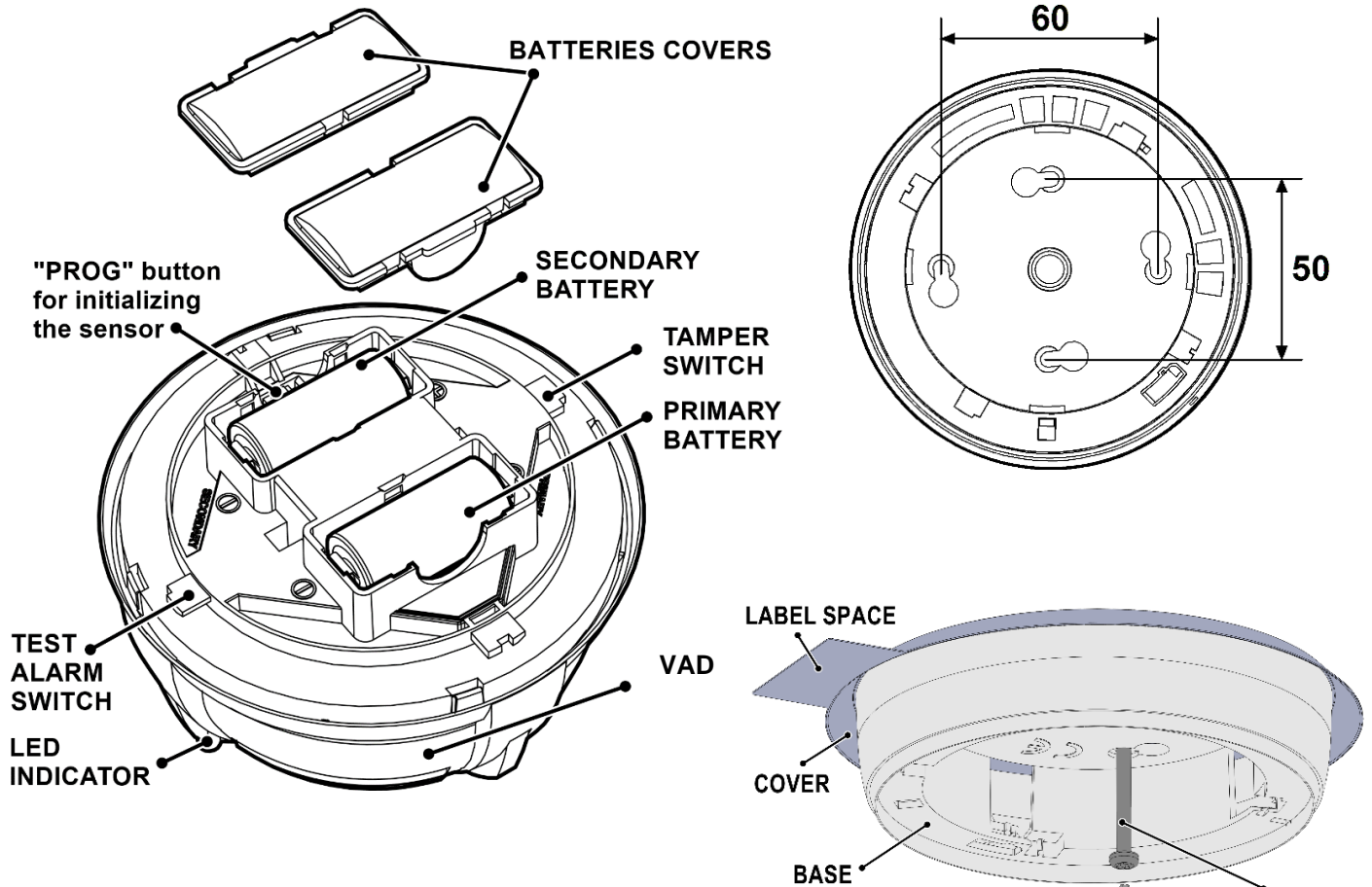
**EK-WL8-OV/AU
WIRELESS OPTICAL SMOKE SENSOR
WITH INTEGRATED VOICE
ANNUNCIATOR AND VISUAL ALARM
DEVICE (VAD)**

STFV.425238.037-AU-UM rev. 24

06.11.2020

Page 2 from 8

GENERAL OVERVIEW

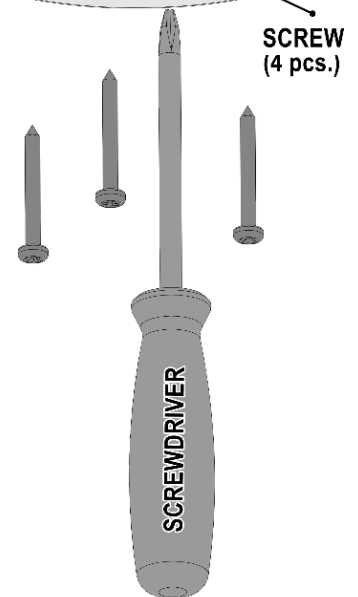


INSTALLATION

In order to install the device, the mounting base should be fixed to the ceiling, the sensor can then be inserted into the base by rotating the sensor until it clips into the base.

Ideally, the device should be installed away from metallic objects, doors, and power lines, as they can cause the communication distance to drop. It is also important to avoid installing the device near electronics and computer equipment in order to protect it from potential electromagnetic interference.

When using a VAD, the device should be installed to comply with the local installation regulations.





**EK-WL8-OV/AU
WIRELESS OPTICAL SMOKE SENSOR
WITH INTEGRATED VOICE
ANNUNCIATOR AND VISUAL ALARM
DEVICE (VAD)**

STFV.425238.037-AU-UM rev. 24

06.11.2020

Page 3 from 8

TECHNICAL SPECIFICATIONS

Communication range with a translator or expander	1200 m
Radio frequency	918-926 MHz
Modulation type	GFSK
Operating frequency channels	6
Radiated power	Not more than 25 mW
Receiver category (EN300-220-1)	1.5
Sound pressure level at 1m	> 91 dB(A) for messages 2 and 3* > 86 dB(A) for message 1
Frequency range	500...3500Hz
Number of messages	up to 3
VAD:	
VAD rating	C-3-2.6
Flash color	White
Flash rate	0.5Hz
Light temporal pattern	200msON / 1800ms OFF
Battery life:	
Primary battery (type CR123A, 2.75-3.2V)	> 10 years (No activation) > 7 years (Activation 30 s / week)
Secondary battery (type CR123A, 2.75-3.2V)	> 2 months (after primary battery low fault)
Dimensions (with the base)	(111x111x74) mm
Weight	215 g
Max tolerated humidity	95% RH
Operating temperature range	From -10 °C to +55 °C
Case material	FR ABS & Polycarbonate

*see full table at the end of the document

NOTE Check the latest version of the product specification document STFV.425238.037-E-PS for further data, obtainable from the manufacturer.



**EK-WL8-OV/AU
WIRELESS OPTICAL SMOKE SENSOR
WITH INTEGRATED VOICE
ANNUNCIATOR AND VISUAL ALARM
DEVICE (VAD)**

STFV.425238.037-AU-UM rev. 24

06.11.2020

Page 4 from 8

PROGRAMMING

The “Prog.” (or "P") button on the device is used for initializing the device in the system. Please refer to the translator manual for full instructions on how to add a device to the system. The device can also be initialized using the “Ekho Configuration” software.

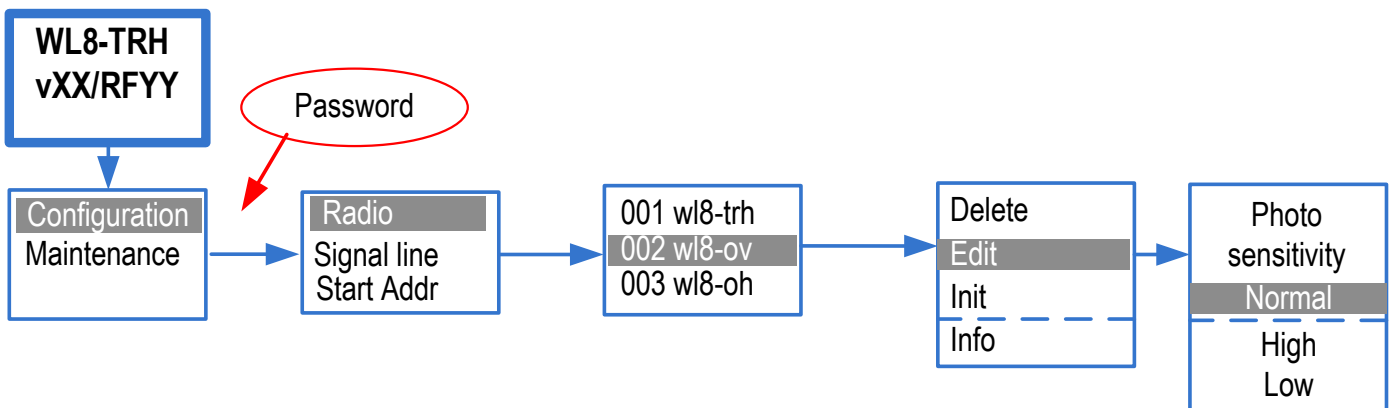
INDICATION

The device has a three-color LED which indicates the state according to the following:

LED indication	Device’s state
No indication or green flashes	Standby mode
Yellow flashes every 4 seconds	Fault state – malfunctioning smoke sensor
Red flashes every 2 seconds	Fire alarm

When the device is powered up, an automatic calibration process will begin, this lasts around one minute and is indicated with a red flashing LED.

SMOKE SENSITIVITY



3 sensitivity options are available, these can be selected only by using the translator menu or the Ekho configurator software (setting via the control panel will have no affect and sensor will remain in the selected mode).

NOTE When the device is powered up, an automatic calibration process will begin, this lasts around one minute and is indicated with a red flashing LED.



**EK-WL8-OV/AU
WIRELESS OPTICAL SMOKE SENSOR
WITH INTEGRATED VOICE
ANNUNCIATOR AND VISUAL ALARM
DEVICE (VAD)**

STFV.425238.037-AU-UM rev. 24

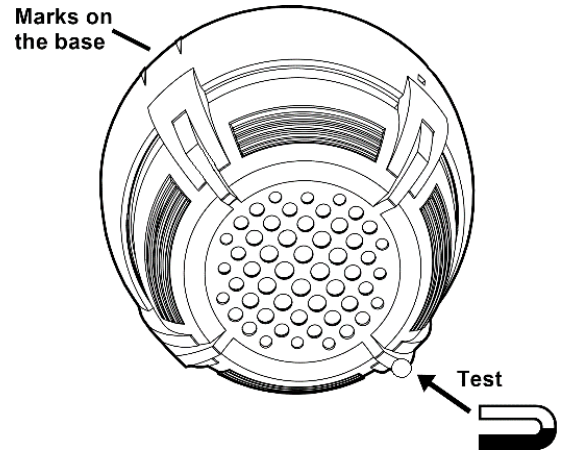
06.11.2020

Page 5 from 8

TESTING

An alarm test can be performed with a magnet by placing it onto the outside of the sensor (opposite side to the base alignment marks) the sensor should take around 1 second to activate.

A suitable smoke test tool can also be used, please follow the instructions to apply smoke to the sensor in the correct way.



ANALOG DATA

The device provides the translator module with analog data about the current smoke level, air temperature, dust in the chamber as well as voltage levels on its batteries. This information can be viewed in the “Ekho Configuration” software.


Sensor	▲▼	Actuality	Primary supply ▼	Standby supply ▼	Temperature ▼	Analog. type 1 ▼	An. value 1 ▼
🔊 147-WL8-OV		4' 56"	3.1 V (5)	3.1 V (5)	25 °C (13)	Smoke	17 (17)
🔊 148-WL8-OV		4' 56"	3.0 V (4)	3.1 V (5)	25 °C (13)	Smoke	20 (20)
🔊 149-WL8-OV		4' 56"	3.1 V (5)	3.1 V (5)	20 °C (12)	Smoke	20 (20)
🔊 150-WL8-OV		4' 56"	3.0 V (4)	3.1 V (5)	20 °C (12)	Smoke	20 (20)

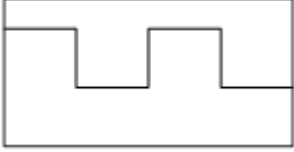
By analyzing the voltage or dust levels, you can manage maintenance procedures and predict when you will have to replace the batteries or clean the smoke sensors. Please refer to the software manual for full instructions on how to use the program for system maintenance.

SOUNDER

The **EK-WL8-OV** sounder can produce three messages (only 1 message can be played at a time).

For successful operation it is necessary that the message number set in the translator.

	EK-WL8-OV/AU WIRELESS OPTICAL SMOKE SENSOR WITH INTEGRATED VOICE ANNUNCIATOR AND VISUAL ALARM DEVICE (VAD)	
STFV.425238.037-AU-UM rev. 24	06.11.2020	Page 6 from 8

Mess.	Pattern
1*	925 Hz: 250 ms / 628 Hz: 250 ms 
2	Voice message 2 (Fire! Fire! Please leave the building by the nearest exit)
3	Voice message 3 (Fire! Fire! Please leave the building by the central exit)
<i>Total duration of all messages up to 20 sec</i>	

* - only messages 2 and 3 approved according to EN54-3

Voice sounders sequence and timing:


Sequence step	Duration
a) attention-drawing signal	2,5 s
b) silence	0,75 s
c) voice message (for message 2 and 3)	3,9 s
d) silence	0,85 s

NOTE All voice messages may be rerecorded by using the special "OrpheyrLib" utility from the "Ekho Configuration" software and special tool (Programmer-PRO device, see STFV.425238.037-AU-D5 EK-WL8-OV/AU).

WARNINGS & LIMITATIONS

Devices use high quality electronic components and plastic materials that are highly resistant to environmental deterioration. However, after 10 years continuous operation it is advisable to replace them to reduce the risk of reduced performance caused by external factors. Ensure the devices are only used with compatible control panels. Detection systems must be checked, serviced and maintained on a regular basis to confirm correct operation.

Refer to and follow National Codes of Practice and other internationally recognized fire engineering standards. Appropriate Risk Assessment should be carried out initially to determine correct design criteria and updated periodically.

	EK-WL8-OV/AU WIRELESS OPTICAL SMOKE SENSOR WITH INTEGRATED VOICE ANNUNCIATOR AND VISUAL ALARM DEVICE (VAD)	
STFV.425238.037-AU-UM rev. 24	06.11.2020	Page 7 from 8

WARRANTY

All devices are covered by a 3 year limited warranty (does not apply to batteries). The warranty is voided by mechanical or electrical damage caused by incorrect handling or usage. Product should be returned via an authorized supplier for repair or replacement along with full information on the identified problem.

BATTERY REPLACEMENT

When a battery requires replacement, both batteries must be changed together.

- a. Remove the sensor from the base.
- b. Clip off the battery cover and remove the batteries.
- c. Insert the new batteries as detailed in the installation manual above – take care to observe + / - polarity.
- d. Re-fit the battery cover and re-insert the sensor into the base.
- e. Test the sensor in accordance with the manufacturer’s instructions.

It is recommended to change both batteries after 10 years of operation regardless of their indicated discharge level.

To replace the batteries, use Panasonic CR123A (primary and secondary batteries) or other with similar characteristics. The batteries must meet the following standards: UL 1642 lithium batteries, UL certified at www.ul.com or IEC 60086-4 Primary batteries, Part 4: Safety of lithium batteries.

The remaining shelf time of the new batteries must be not less than 8 years.

Failure to observe these instructions will void the device warranty and any liabilities.

CAUTION

- Replacement of a batteries must be of the same type.
- Do not expose used batteries to fire, hot ovens, or mechanical crushing/ cutting as this can result in an explosion.
- Exposing batteries to extremely high environmental temperatures can result in explosion or the leakage of flammable liquid or gas.
- A battery subjected to extremely low air pressure may result in an explosion or the leakage of flammable liquid or gas.

DISPOSAL

- Follow local regulations regarding disposal of the batteries.



**EK-WL8-OV/AU
WIRELESS OPTICAL SMOKE SENSOR
WITH INTEGRATED VOICE
ANNUNCIATOR AND VISUAL ALARM
DEVICE (VAD)**

STFV.425238.037-AU-UM rev. 24

06.11.2020

Page 8 from 8

Angle	Minimal Sound pressure level, dB(A) for all supply voltages at 1 m for messages 2 and 3
	Horizontal and vertical plane
15°	83
45°	88
75°	91
105°	91
135°	89
165°	90



Australian Standard

SAI Global

Lic SMK 41078



ABN No

67 153 750 648

Hochiki Australia Pty Ltd

Block Y, Unit 1 Regents Park Estate
391 Park Rd, Regents Park
NSW 2143, Australia

Telephone: +61 2 9738 5566

Web: www.hochikiaustralia.com

Email: sales@hochikiaustralia.com